

UPC-M07

Expansion Module – 2D Barcode Reader



Front side



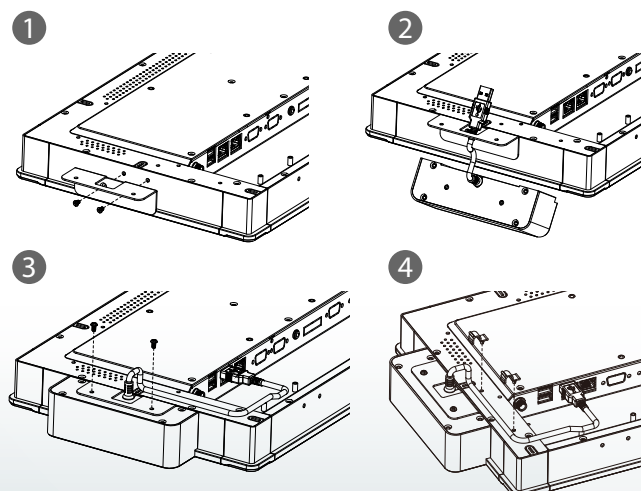
Rear side

■ Specification

Focus Distance	Front to engine: 7.64 in. (19.4cm)			
Aiming & Illumination	610nm LED & 1 Hyper Red 660nm LED			
Skew, Pitch and Roll	Skew Tolerance: +/- 60°			
	Pitch Tolerane: +/- 60°			
	Roll Tolerance: 360°			
Symbologies	<ul style="list-style-type: none"> • Linear: Codabar, Code 11, Code 128, Code 2 of 5, Code 39, Code 93 and 93i, EAN/JAN-13, EAN/JAN 8, IATA Code 2 of 5, Interleaved 2 of 5, Matrix 2 of 5, MSI, GS1 Databar, UPC-A, UPC E, UPC-A/EAN-13 with Extended coupon Code, Coupon GS1 Code 32(PARAF), EAN-UCC Emulation, GS1 Data bar • 2D Stacked: Codablock A, Codablock F, PDF417, MicroPDF417 • 2D Matrix: Aztec Code, Data Matrix, MaxiCode, QR Code, Chinese Sensible (Han Xin) code • Postal Codes: Australian Post, British Post, Canadian Post, China Post, Japanese Post, Korea Post, Netherlands Post, Planet Code, Postnet 			
	Decode Ranges	Near	Far	
		5 mil Code 39	2.0 in / 5.1 cm	6.4 in / 16.2 cm
		5 mil Code 128	2.5 in / 6.3 cm	5.0 in / 12.7 cm
6.6 mil PDF417		2.5 in / 6.3 cm	6.3 in / 16.0 cm	
10 mil PDF417		1.8 in / 4.5 cm*	9.0 in / 22.8 cm	
13 mil 100% UPC		2.0 in / 5.0 cm*	12.5 in / 31.7 cm	
20 mil Code 39		2.0 in / 5.0 cm*	19.5 in / 49.5 cm	
20 mil Code Matrix	1.5 in / 3.8 cm	13.5 in / 34.3 cm		
20 mil QR Code	1.5 in / 3.8 cm	11.00 in / 27.9 cm		
OS Support	Windows 10			
Dimensions	130 x 35 x 40 mm			
Operating Temperature	-20°C ~ 50°C			
Storage temperature	-40°C ~ 70°C			
Interface	USB (Cable Length: 60cm)			
Sensor Resolution	640 (H) x 400 (V) pixels			
Field of View	42° (H), 28° (V)			

* Field of View limited

■ Installation steps



■ Dimension

