

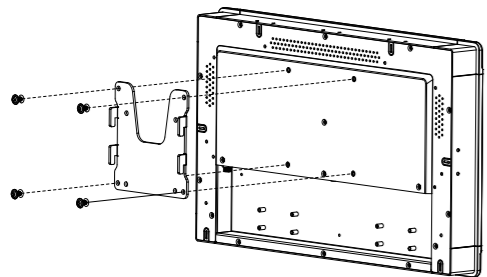
VESA Mounting UPC

UPC-A101 can be mounted to a VESA 75 x 75 and UPC-A156/A215 can be mounted to a VESA 100 X 100 mounting system.



Note

- Rear view with holes (M4-depth 5 mm) for VESA 75/100 Mounting.
- UPC has to be installed and operated only by trained personnel.
- Please make sure the VESA Plate supporting weight is appropriate for different sizes and weight of UPC.



Caution

Use proper mounting equipment to prevent serious injury.

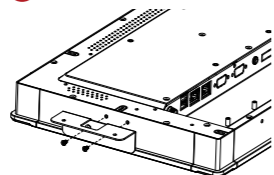
Expansion Module Installation (optional)

1. Secure module mounting bracket to the UPC system using M3 x 5mm screw with torque maximum 4 kgf-cm.
2. Pass the cable into cutting hole on the mounting bracket and then secure expansion module to the mounting bracket.

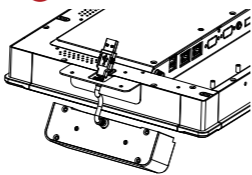
6

3. Fasten the expansion module into the mounting bracket using M3 x 5 mm screw with torque maximum 4 kgf-cm.
4. Organize USB cable behind panel computer to neatly attached (using the clamp cable) to the back of your panel computer and then connect the USB cable to I/O Port (USB).
5. Installation complete.

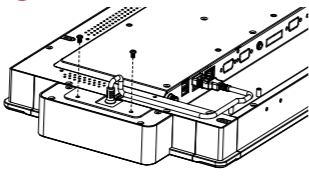
1



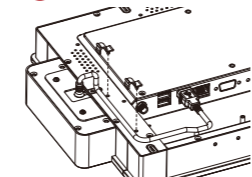
2



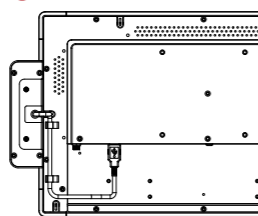
3



4



5



7

Setup Procedures

System Power On

1. For the UPC-A101/ UPC-A156/ UPC-A215 model, connecting the system to a DC power source or external power supply via DC in Jack.
2. Hold power cords by the plugs end only.
3. After DC input, the system will be activated automatically.



Caution

UPC needs to be installed and operated by trained personnel.



Warning

Shutting computer down without proper shutdown procedure may cause problems with rebooting system later and it will cause data loss. We are not liable for any damage caused by user inappropriate behavior when operating the device.

BIOS Setup

- System setup and configuration will be completed by the manufacturer or System integrator.
- User can enter BIOS Setup program to adjust the system configuration by pressing the "Delete button" after powering the unit.

System Software Installation

The UPC is optionally available with or without OS. During the installation of 3rd party OS, user must integrate all software component required for the OS by themselves.



Note

Before software or driver installation, the system must be equipped with additional storage that users must purchase separately.

8

Different Touch Mode Selection

UPC has a capacitive touch screen that able to responds to fingertips, certain type of gloves and a capacitive tipped stylus. User can change the touch screen mode to suit user scenario.

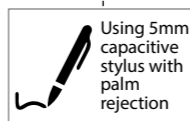
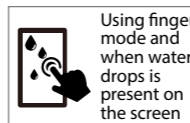
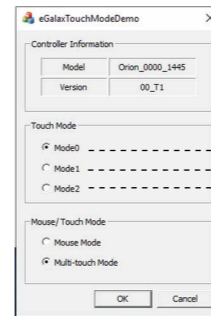
Click the eGalaxTouchModeDemo

Program to open the settings menu and select one of the options.



Note

Different type of gloves characteristics, materials, and design will have different results on the touch performance.



For more information about this or other Sysgration products, please visit our website at <http://www.sysgration.com>

For technical support and service, please visit our support website at <http://www.sysgration.com>

This manual is for UPC-A101/A156/A215.

All product specifications are subject to change without notice.

Manufacturer

Sysgration Co., Ltd.

6Fl., No.1, Sec. 1, Tiding Blvd., Neihu Dist., Taipei City, 11494, Taiwan, R.O.C.
TEL: +886-2-2790-0088

9

SYSGRATION®

Quick Start Guide

UPC-A101/A156/A215
10.1"/15.6"/21.5"

Universal Panel Computer



UPC
Universal Panel Computer

Check Items

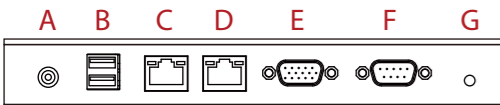
- UPC-A101/A156/A215
- Packet of mounting kits
- DC power converting cable
- Quick start guide
- Packet of cable Clamps (only available on 15.6" / 21.5")



Caution

If any of these items are missing or damaged, contact your distributor or sales representative immediately.

Product Overview

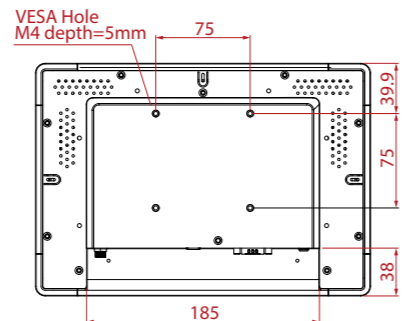
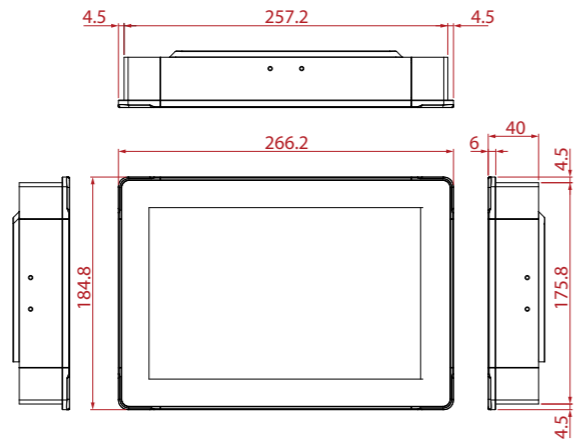


- A. DC power Input
- B. 2 x USB 3.1 Gen.1 Type A
- C. 10/100/1000 GbE
- D. 10/100/1000 GbE
- E. RS232 Serial Port
- F. VGA Output
- G. Audio Line Out

1

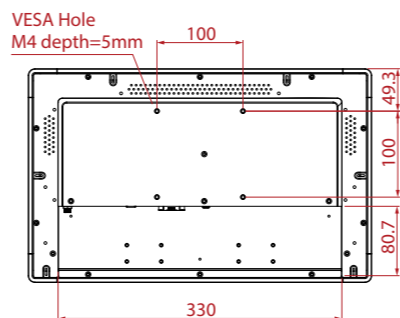
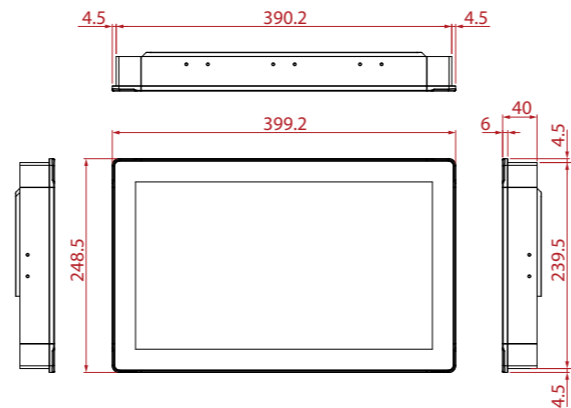
Product Dimensions

UPC-A101 dimension



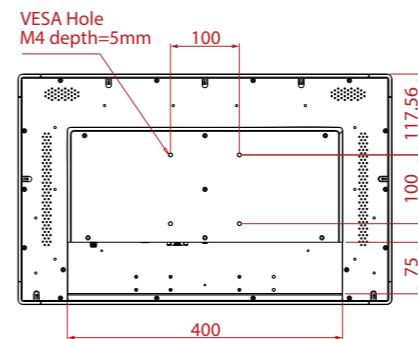
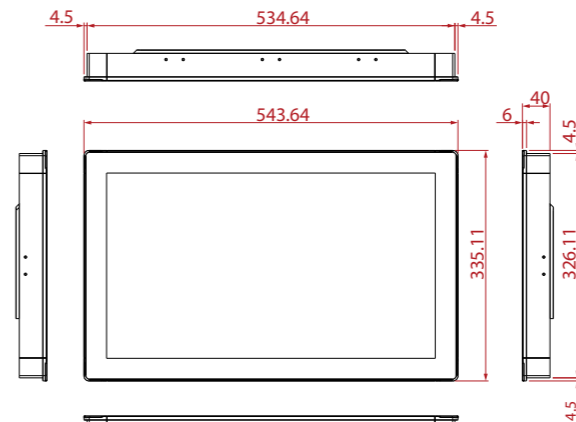
2

UPC-A156 dimension



3

UPC-A215 dimension



4

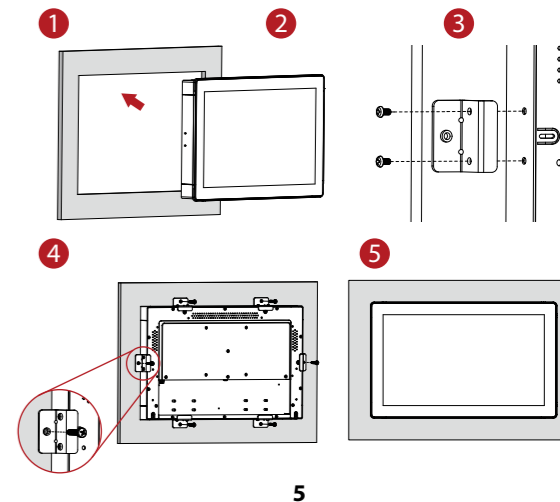
Specifications and dimensions are subject to change without notice

Panel Mounting UPC

1. The appropriate cut out on the panel or wall, refer to this table for appropriate cutout dimension for different UPC sizes.

Type	Suggested cut out size (w x h)
UPC-A101	259.20 x 177.80 mm
UPC-A156	392.20 x 241.50 mm
UPC-A215	536.60 x 328.10 mm

2. Insert the UPC into the cutout area.
3. Place the mounting bracket to the UPC and fasten it using M3 x 6 mm screw (torque max 4 kgf-cm), tighten each mounting bracket on every side until each of it is firmly tightened.
4. Fasten the M4 x 20 mm screw to fix the bracket to the panel.
5. Installation complete.



5