

AIX-800

Edge AI Box



Feature

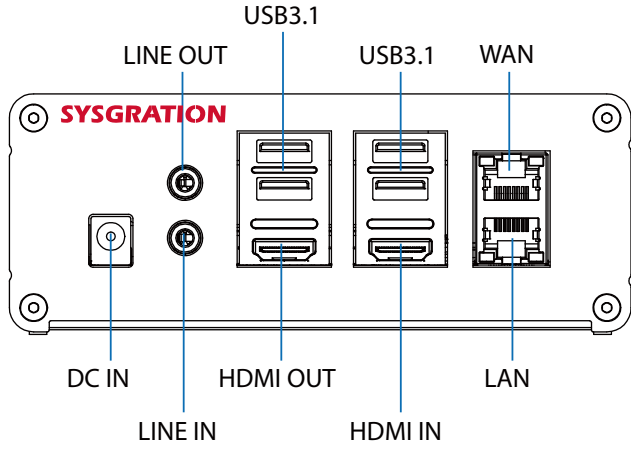
- Smart edge computing terminal developed on Qualcomm QCS8550
- Integrated high-performance graphics and comprehensive computing power to 48TOPS AI Engine
- Supports 5G, 4G, Wi-Fi 7(2.4G/5G/6GHz) BT 5.3, GNSS
- Various industrial interfaces, including USB 3.1/ USB 2.0/ USB type C HDMI/ Audio/ LAN
- Supports Android, Ubuntu
- Application: Defect detection, Transportation & Logistic, Retail, Security monitoring, Robotics, Autonomous Mobile Robots

■ Specification

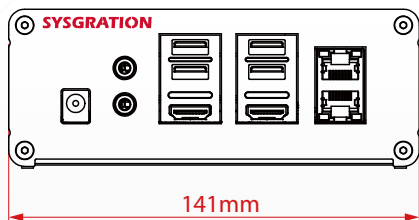
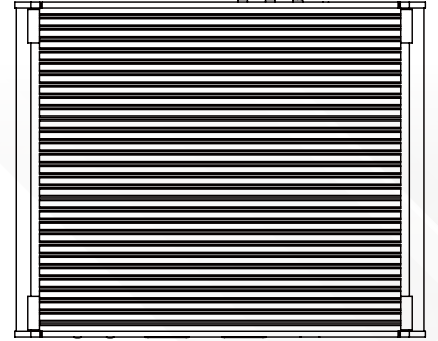
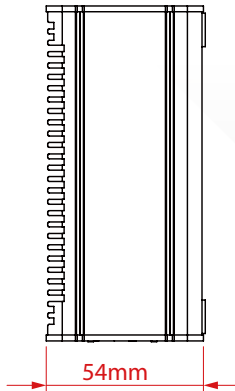
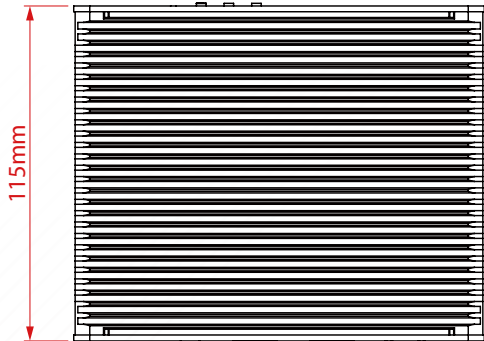
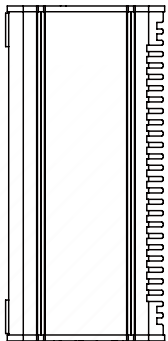
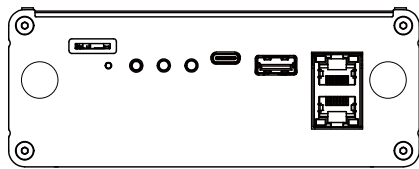
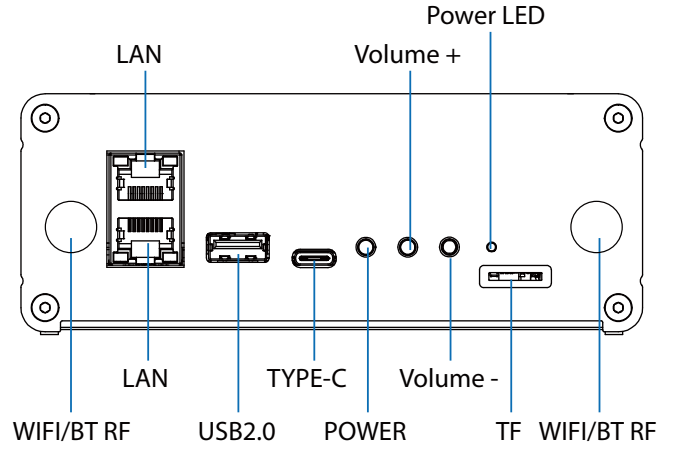
CPU	Qualcomm Snapdragon QCS8550 Octa-core Kryo 64-bit CPU 1 x Gold @ 3.2GHz ; 4 x Gold @ 2.8GHz ; 3 x Silver @2.0 GHz	
GPU	Adreno 740	
Operating System	Android 13 / Yocto	
Storage	RAM	LPDDR5x, 8 /16 GB
	ROM	UFS, 128 GB
Power	DC_IN	12V~24V, Wide voltage input
	Wi-Fi	802.11be, 2.4G/5G/6G DBS, 2*2 MIMO
Wireless Communications	BT	5.3
	Cellular	5G/4G (Option)
Dimension	141 x 115 x 54 mm	
Operating Temp	- 20 °C to 60 °C	
Interface	USB	USB-A 2.0 x 1, USB-A 3.1 x 4, USB-C 3.1 x 1 (DP over type-c)
	HDMI	HDMI_IN x1 ; HDMI_OUT x1
	WAN	x1 (100/1000 Mbps)
	LAN	x3 (100/1000 Mbps)
	Micro SD slot	x1
	SIM	x1
	Module Antenna	2 x Wi-Fi/BT(SKU1), 4 x Cellular and GNSS(SKU2)
Expansion I/O (Internal)	M.2	SSD (SKU1), 5G (SKU2)

Dimension & IO

Front View



Rear View



SYSGRATION®

6Fl., No.1,Sec.1, Tiding Blvd., Neihu Dist., Taipei City, Taiwan

marketing.amd@sysgration.com | 02-2790-0088 | www.sysgration.com

All product specifications are subject to change without notice.

Last updated: 06-Aug-2024 v1